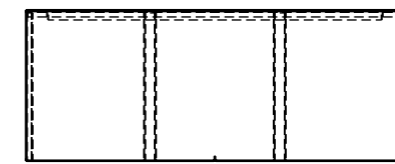
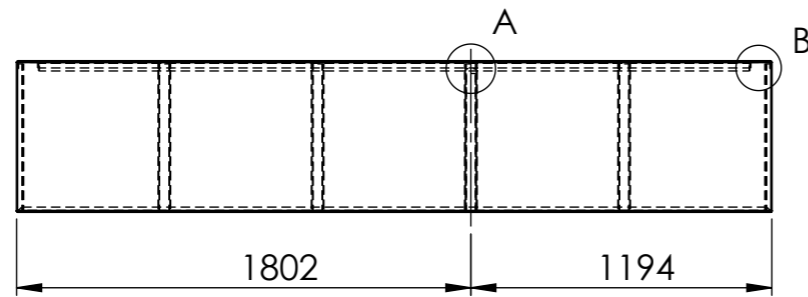
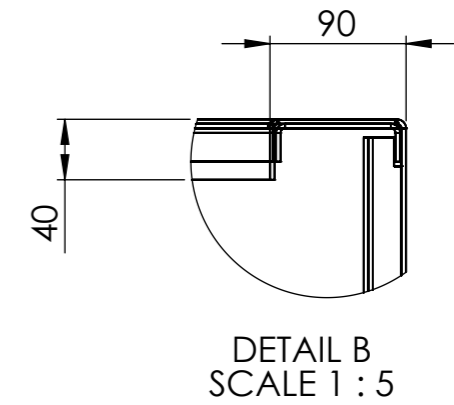
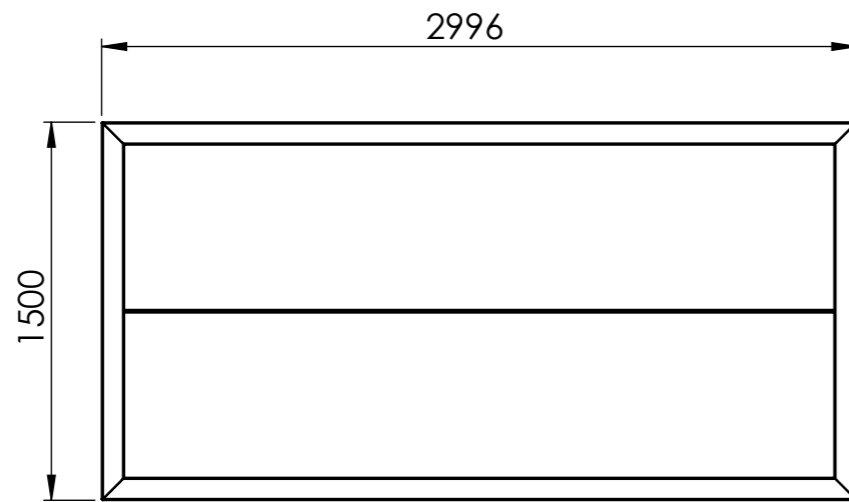
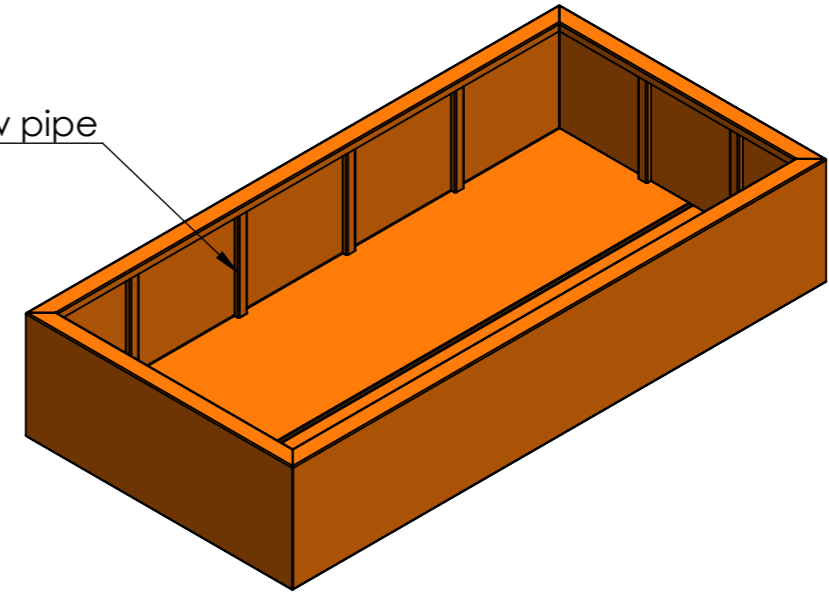


Overflow pipe



DRAWN	Luuk van den Heuvel	DATE	1-5-2026		TITLE:	3mm Corten	
REVISION					Drawing:	VC5	A3
		Liessentstraat 4, 5405 AG Uden (NL). † 0031 (0)413 - 27 41 68. e info@adezz.com, i www.adezz.com		Color:	-	Mass (kg):	<b>295.80</b>
				SCALE:	1:30	SHEET 1 OF 11	